

AROCS 4148 AK 8X6/4



KH-Kipper Sp. z o.o.

Mercedes-Benz
Trucks you can trust



Orderdata (Order 1555920128)

Code	Description	Code	Description
A1D	Front axle 8.0 t	K7D	Exhaust system, tailpipe to right and outwards
A1W	Differential lock, front axle	K7R	Exhaust pipe, straight, above second axle
A1X	Straight front axle, increased ground clearance	L0A	Illumination regulation, in acc. with UN-R 48.06
A2G	Rear axle, crown wheel 300, planetary, 13.4 t	L1C	LED daytime running lamps
A5Y	Axle ratio i = 4.333	L1P	LED tail lights
B1B	Electronic braking system with ABS and ASR	L1Q	Tail lights, construc. in metal holder with grille
B1F	Heating, electronic air-processing unit	L1W	LED turn signals in light signature
B1H	Electr. compressed air supply and control, centre	L2H	Side marker lamps, flashing
B1Z	ABS, disengageable	L4Z	Protective grille, metal, for headlamps
B2B	Drum brakes on front and rear axle	L9A	Pre-installation for rotating beacons
B2X	Parking brake, electronic	L9C	Pre-installation for additional headlamps, roof
B4A	Condensation monitoring, for compressed air sys.	M0C	Bottom shell to prevent swirling-up of dust
B4M	Air reservoir, steel	M0Q	Noise regulation acc. to UN-R 51.03, phase 2
B5B	Trailer brake, 2-line	M3C	Eng. OM471, inline 6, 12.8 l, 350kW (476hp), 2300 Nm
CLW	Steering oil cooling	M4X	Engine version Euro VI, E
C0B	Frame overhang 800 mm	M5D	3. Engine generation OM471
C2T	Wheelbase 4850 mm	M5V	High Performance Engine Brake
C5J	Mounting parts, for tipper	M6L	Air compressor, 2-cylinder
C6H	Steering, Servotwin, 4-axle and 9t FA, air	M7I	Insect screen in front of cooling system
C6J	Power steering pump, uncontrolled	M7J	Guard plate, bumper
C6Q	Stabiliser, front axle	M8B	Air intake behind cab, mounted
C6V	Stabiliser, 1st rear axle	M8L	Cyclone filter for coarse dust
C6W	Stabiliser, reinforced, 2nd rear axle	M8Y	Fuel pre-filter, chassis-mounted, additional
C7C	R.underride gd,fold., steel tipper, test force 80%	N2E	PTO MB 131-2c, pump
C7K	Battery carrier, batteries stacked	N6Z	Transmission oil cooling
C8F	Wing, for chassis transit	OWY	Interior measures upgrade
D0A	Leather steering wheel	O0A	Coolant service interval, long for non-SWR
D0S	Compressed-air connection, in cab	O0T	TruckLive
D1C	Driver's suspension seat, comfort	O1B	Fuel pre-filter, 2nd position
D1N	Fold-up co-driver's seat	O1T	Interior colour greige/anthracite
D2N	Driver's seat backrest, release mechanism	O1Z	Steering, indirect
D2W	Armrests on both sides, co-driver's seat	O2N	Starter Melco 95P65
D2Y	Seat belt monitor	O2X	Optimised cab separation point, supply
D3I	Bunk, bottom	O3B	Comfort Package, for S/M cab
D3K	Seat cover, Dinamica, black, driver`s seat	O3K	Active Safety
D3L	Seat cover, Dinamica, black, co-driver`s seat	P0Q	Cover, for wheel arch and engine
D4Y	Sunblind, side, driver's side	P0S	Space f.control unit betw. driv.seat & door pocket
D5Y	Rubber mats, driver's and co-driver's side	P0W	Cover, for major assemblies
D6G	Automatic climate control	Q1X	Front spring. 2 x 8,0 t, 3-leaf
D6I	Residual engine heat utilisation	Q3D	Rear spring, 2 x 16.0 t
D6M	Auxiliary hot water heater, cab	Q7V	Centre-axle trailer coupling, D50, Ringfeder
D7G	Stowage compartment lid, driver and co-driver side	Q8F	Hand lever, top, for trailer coupling
D8A	Roof hatch/vent, roof	Q8R	End cross-member, reinforced
E0D	Battery sensor, Hella	R0L	Tyres, customer request, FA
E0F	Batteries from company Exide	R0M	Tyres, customer request, FA/lead. axle/trail. Axle

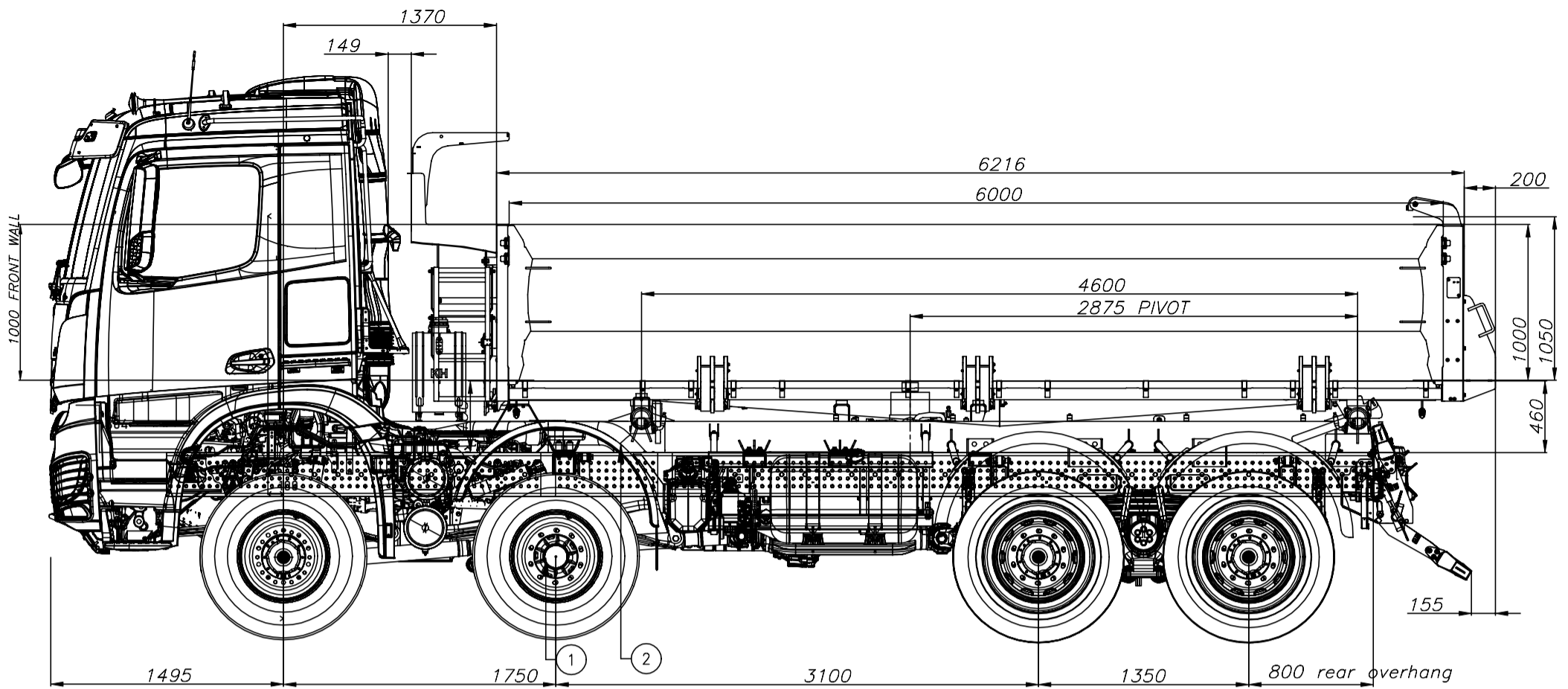
Orderdata (Order 1555920128)

E1B	Batteries 2 x 12 V/170 Ah, low-maintenance	R0N	Tyres, customer request, RA
E1N	Alternator 28 V/100 A	R0O	Tyres, customer request, 2nd RA/twin-ty.trail.axle
E3R	Power socket, 24 V/25 A, co-driver footwell	R0Z	Wheel-nut cap
E3W	PSM, 2nd generation	R1Q	15-degree tapered rims, 9.00 x 22.5
E5A	No. 1 switch, for non-MB body electrics	R1T	15-degree tapered rims, 11.75 x 22.5, front axle
E5H	Switch for night-time driving light	S1H	Lane Keeping Assist
E5L	Slot for 4 additional switches	S1L	Attention Assist
E6A	Trailer socket, 24 V, 15-pin	S1O	Traffic Sign Assist
E6Y	Reverse warning, comb. with hazard warning lights	S1Y	Tyre pressure monitor
F0G	Side module, N3G vehicle	S2D	Active Brake Assist 6
F0Y	Mirror cover, construction vehicle	S2H	Active Sideguard Assist 2
F1O	M-cab ClassicSpace, 2.30 m, tunnel 320 mm	S2L	Frontguard Assist
F1Q	M-cab	S2Q	Sensor position, side radar, widened
F2C	Floor variant, tunnel 320 mm	S4A	Pre-installation for alcohol test on start-up lock
F2G	Cab width 2.30 m	S5A	Speed limiter, 90 km/h (56 mph), ECE
F2N	Cab, 600 mm attachment height	S5Z	Cruise control
F2U	ClassicSpace	S8A	First aid kit
F3B	Cab mountings, comfort, steel-sprung	S8C	Hazard warning triangle
F3W	Cab tilting mechanism, mechanical-hydraulic	S8D	Warning lamp
F4H	Cab rear wall, without window	S8E	Reflective safety jacket
F4X	Stowage compartment exterior flap, left	U1W	AdBlue lines, water-heated
F5L	Sun visor, exterior, transparent	U2G	Exhaust box
F5Y	A-pillar trim	U2T	Control code, exhaust box, rear outlet
F6D	Windscreen, tinted, with filter band	U2V	Control code, catalytic converter kit 2
F6I	Front mirror, heated	U3D	Control code, CAN star points, classic
F6L	Main mirror, manoeuvring setting, co-driver's side	U3F	Control code, global AdBlue sensor (GMS DEF)
F6R	Air horns, cab roof	U3N	Control code, navigation map, EU region
F7B	Bumper, with steel corners	U3S	3rd-generation electronics architecture
F7D	Bumper centre section w. towing eyes, coupling jaw	V0Q	Vehicle version in acc. w. GSR, phase B
F7Y	Cab entrance, left/right, movable	V0T	Vehicle class N3G, off-road vehicle
F7Z	Step, with grab rail on roof	V0U	Overhang angle, front, minimum 25 degrees
F8B	2 remote control keys	V0V	Overhang angle, rear, minimum 25 degrees
F8E	Locking system, with central locking	V0W	Breakover angle, minimum 25 degrees
F8F	Extended central locking	V0X	Ground clearance under front axle, minimum 250 mm
F8V	Light sensor	V0Y	Ground clearance under rear axle, minimum 250 mm
F8W	Rain sensor	V0Z	Ground clearance between axles, minimum 300 mm
G0A	Powertrain, 44 t to 68 t	V1B	Arocs
G0R	Transmission support arms, optimised for removal	V1Z	Grounder
G0W	Drive program offroad	V2J	Arocs model generation 5
G2F	Transmission G 330-12/11.63-0.77	V8A	Chassis number FIN
G4E	Transfer case VG 3000-3W, 1.04, engageable	V9G	Technical changes model year October
G5B	Double-disc clutch	W8F	Weight variant 42.0 t (8.0/8.0/13.0/13.0)
G5G	Mercedes PowerShift 3	X1P	Instrument/labels/documentation, Polish
G5L	PowerShift Advanced	X2E	Model plate, EU

Orderdata (Order 1555920128)

G9Y	Omission of Predictive Powertrain Control	X2T	Maintenance Documentation
I2H	Tyres, tubeless, size 315/80 R 22.5, rear axle	X3Z	Powertrain warranty as per T and Cs 3yrs/250,000km
I2P	Tyres tubeless, 385/65 R 22.5, fr./lead./trl. axle	Y1G	Assignment of cab paintwork, top coat line 2
I4M	Wheel arrangement 8x6/4	Y4J	2 wheel chocks
I5J	41.0-tonner	Y4Y	Tyre inflating hose
I6B	Tipper chassis	Y4Z	Compressed-air gun, with hose
I6I	Vehicle production plant Wörth	Z1H	EBS, Wabco
I6K	Heavy-duty model series, new generation from 18 t	Z1X	EAPU equipment, item 1
I6M	Heavy-duty vehicles from 18 t, off-road	Z3A	Switch module 1, type A
I6W	Leaf suspension, rear axle	Z3D	Switch module 2, type B
J0U	Remote update of driving assistance map	Z3F	Switch module 7
J1M	Dig. tachograph, 2nd gen., version 2, ADR	Z3H	Side marker lights, 1st pair
J1S	Tachograph manufacturer VDO	Z3J	Side marker lights, 3rd pair
J2I	Standard loudspeaker	Z3Z	Export code
J2U	Navigation system	Z4P	Tank cross-section, wide
J3U	Requirement: FleetBoard Manager app	Z4Q	Tank cross-section, low
J6C	Multimedia Cockpit, interactive	Z5E	OM 471
J6W	Reversing camera, towing vehicle end	Z5G	Fan position, on crankshaft
J7A	Truck Data Center 8	Z5I	Fan ratio, 1:1.0
J7V	Driving assistance map, Europe region	Z5M	PTO, single
J8S	Preinst. & display for up to 2 additional cameras	Z5P	Clutch supplier F&S
J8U	Pre-installation for Truck Data Center 8	Z5S	Power take-off, pump, under top edge of frame
J9A	Pre-installation for CB radio, 12 V, DIN slot	Z5V	Starter with M10, HDEP
K0T	Main tank, left	Z5X	Left-hand drive
K1Y	Tank 330 l, left, 735 x 565 x 950 mm, aluminium	Z5Y	Vehicle, for right-side traffic
K3T	AdBlue tank, 25 l	Z7K	Paint, additional control code
K5M	Tanks, lockable	Z7L	Exterior mirrors, painted
K5R	Protective plate for tank	Z9E	Protection Package
K5S	Protective cap for AdBlue metering system		

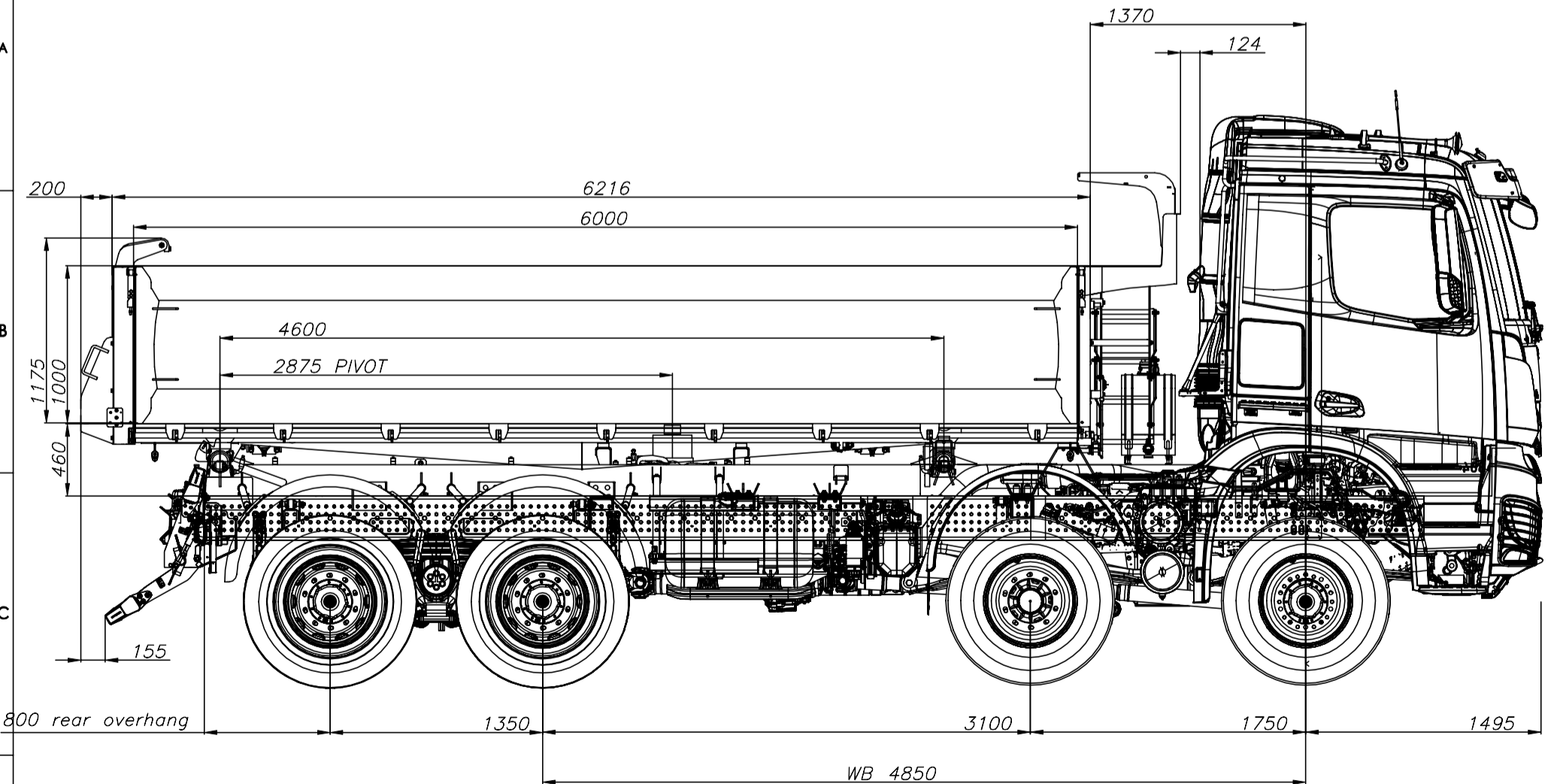
SP-REQ. no.	Description
-------------	-------------



8040 kg	NACISKI NA OSIE OD MASY WŁASNEJ PODWOZIA / CHASSIS CURB WEIGHT AXLE LOADS	4168 kg	Σ	12208 kg
9459 kg	NACISKI NA OSIE OD PODWOZIA ZABUDOWANEGO / CHASSIS AND BODY WEIGHT AXLE LOADS - UNLOADED	7772 kg	Σ	17231 kg
12788 kg	NACISKI NA OSIE PRZY ZAŁADOWANIU DROGOWO 32T / CHASSIS AND BODY WEIGHT AXLE LOADS - LOADED LEGAL	19212 kg(1%)	Σ	32000 kg
13238 kg	NACISKI NA OSIE PRZY ZAŁADOWANIU DROGOWEGO 34T / CHASSIS AND BODY WEIGHT AXLE LOADS - GVV TECHN	20762 kg(9%)	Σ	34000 kg
16000 kg	NACISKI NA OSIE DOPUSZCZALNE / PERMISSIBLE AXLE LOADS	19000 kg	Σ	32000 kg

NR	ILOŚĆ	NUMER CZĘŚCI	OPIS	NAZWA CZĘŚCI	DŁ.	SZER.	GR.	MATERIAŁ	WAGA [kg]	NR KP	P/H
1	1	—	AROCS 4148 AK 8x6/4 BM	MB	—	—	—	—	—	—	H
2	1	OUT-Z-000001	—	Rama pośrednia	—	—	—	—	—	—	P
3	1	OUT-Z-0000013	W2H	Skrzynia	—	—	—	—	—	—	P

RZUTOWANIE	© COPYRIGHT	Ten rysunek jest własnością firmy KH-KIPPER wszelkie kopiowanie, sprzedawanie lub rozprowadzanie bez zgody właściciela może podlegać odpowiedzialności karami		AC
<input type="checkbox"/> DOPUSZ. ODCHYLENIA PŁASKOŚCI PODŁOGI 4 mm.	KH-KIPPER	Zabudowy Przyczepy Naczepy		NUMER PROJEKTU
TOLERANCJA WYMIAROWA WEDŁUG PN-EN 22768-1:1999	26-050 ZAGNAŃSK, Kojetanów 130	Z-d produkt: 26-050 Zagnańsk/Kojetanów		PZ891224
do 100mm ±0.5mm	tel./fax +48 41 3011568.9	tel./fax +48 41 3011568.9		WAGA, kg
>100 do 1000mm ±1mm				—
>1000mm ±3mm				F. ARK. SKALA
				21.01.2009
				DATA OST. ZAPISU
				A. DeKiel
				RTSOWAL
				SPRAWDZIL
Instrukcje montażu nr: UKP-06-00-01; UKP-08-00-04				NUMER CZĘŚCI
				W2H
				NUMER CZĘŚCI
				ZS-KO.4.25
				ARKUSZ
				1/1
				WPS nr: 1/135/2013; 2/135/2013; 3/135/2013; 4/135/2013; 5/135/2014; 6/135/2014; 7/135/2012; 8/135/2013; 9/135/2013; 10/135/2015; 11/135/2015; 12/135/2015



RZUTOWANIE	© COPYRIGHT	Ten rysunek jest własnością firmy KH-KIPPER wszelkie kopiowanie, sprzedawanie lub rozprowadzanie bez zgody właściciela może podlegać odpowiedzialności karami		AC
<input type="checkbox"/> DOPUSZ. ODCHYLENIA PŁASKOŚCI PODŁOGI 4 mm.	KH-KIPPER	Zabudowy Przyczepy Naczepy		NUMER PROJEKTU
TOLERANCJA WYMIAROWA WEDŁUG PN-EN 22768-1:1999	26-050 ZAGNAŃSK, Kojetanów 130	Z-d produkt: 26-050 Zagnańsk/Kojetanów		PZ891224
do 100mm ±0.5mm	tel./fax +48 41 3011568.9	tel./fax +48 41 3011568.9		WAGA, kg
>100 do 1000mm ±1mm				—
>1000mm ±3mm				F. ARK. SKALA
				21.01.2009
				DATA OST. ZAPISU
				A. DeKiel
				RTSOWAL
				SPRAWDZIL
Instrukcje montażu nr: UKP-06-00-01; UKP-08-00-04				NUMER CZĘŚCI
				W3H
				NUMER CZĘŚCI
				ZS-KO.4.25
				ARKUSZ
				1/1
				WPS nr: 1/135/2013; 2/135/2013; 3/135/2013; 4/135/2013; 5/135/2014; 6/135/2014; 7/135/2012; 8/135/2013; 9/135/2013; 10/135/2015; 11/135/2015; 12/135/2015